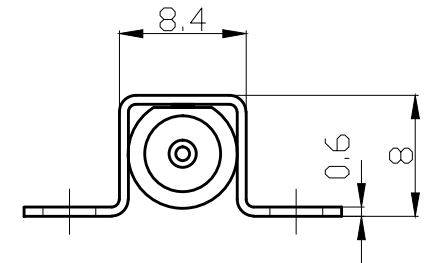
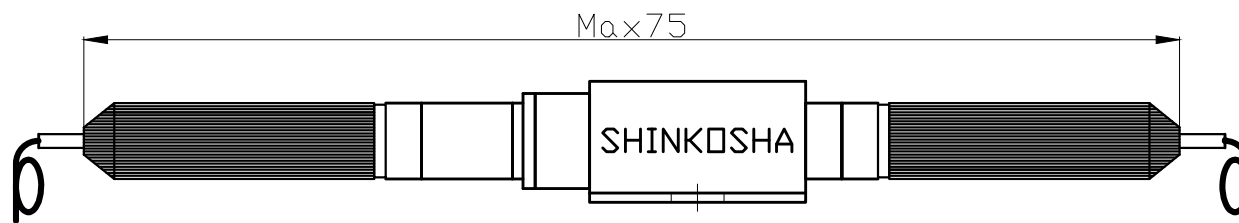
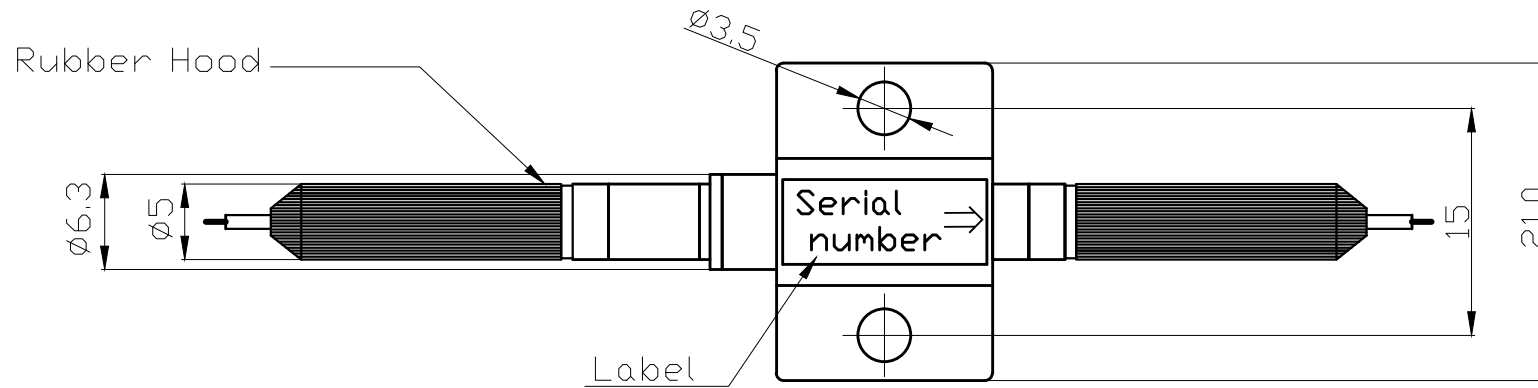


Outside Dimension(2 μ m-10W)

UNIT:mm



SHINKOSHA Co.,Ltd.